



## Universal Ground Mount Standard Group 27/31 Battery Enclosures

Ground mount outdoor rated enclosures for cable telecommunications and broadband applications. Standard models accommodates one power supply/UPS and 3, 4, 6 or 8 Group 27 or 31 sized top terminal batteries. Includes all cables to support/connect specified number of batteries. Ideal for use where battery backed up power is required or specified.



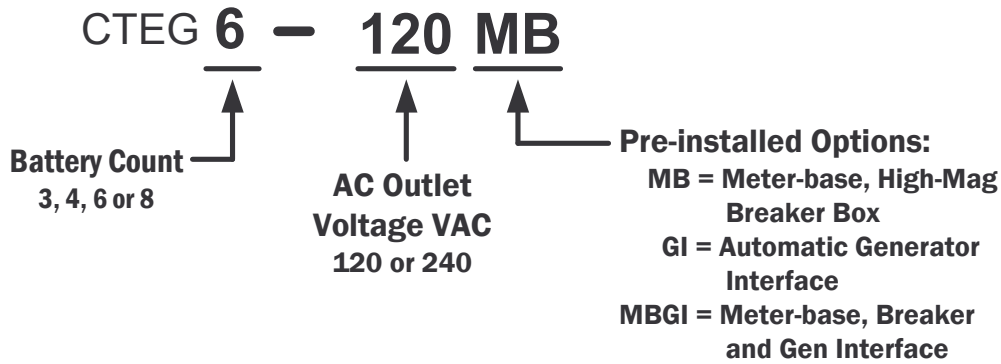
### FEATURES

- Universal ground mount enclosure – accommodates many brands of power supplies
- Available in 3, 4, 6 and 8 battery count versions
- Designed for use with Group 27/31 top-terminal batteries
- Built-in high current alt/bypass switch
- Includes all power battery cables
- Secure rear coax raceway
- LED output indicator
- Battery slide tray with locking latches
- Lightweight corrosion resistant aluminum enclosure
- UV protected powder-coat finish
- Meter-base and high-mag breaker box (optional)
- Automatic integrated generator interface (optional)

Myers Power Products, Inc.  
44 S Commerce Way  
Bethlehem, PA 18017

Tel: (610) 868-3500  
Fax: (610) 868-8686  
[www.myerspowerproducts.com](http://www.myerspowerproducts.com)

## Model Number Configurator\*



\*Note: Gray ASA70 Finish standard. Other sizes, finishes, colors available upon request.

## Basic Characteristics\*\*

Myers Model #	Dimensions – HxWxD Inches (cm)	Weight – Lbs (kg)	Use with Pre-Cast Pad
CTEG3 Series	37.5 x 25 x 15.5 (96 x 63 x 40)	52 (24)	CTEG-PAD-36-MTL
CTEG4 Series	37.5 x 28.8 x 17.5 (96 x 73.2 x 44.5)	70 (32)	CTEG-PAD-48-MTL
CTEG6 Series	46.5 x 24.5 x 15.5 (98.8 x 61.6 x 39.4)	78 (35)	CTEG-PAD-36-MTL
CTEG8 Series	46.5 x 28.8 x 17.5 (118.1 x 73.2 x 44.5)	85 (39)	CTEG-PAD-48-MTL

\*\*Note: Specifications subject to change.

## Options

Option Description	Ordering Information
Thermostatically Controlled Enclosure Fan Kit, Provides forced air cooling	Customer installed, use model number: CTE-FAN-KIT
External Meter-base and Breaker Box, Single Phase, 20Amp, High-Mag	Preinstalled, add suffix “MB” to model number. <i>ex. CTEG3-120MB</i>
AC Generator Interface, Auto switches AC input to Generator when Generator is on.	Preinstalled, add suffix “GI” to model number: <i>ex. CTEG6-120GI</i>
Replacement Battery Cables	For 3 Battery Enclosures: CTSPBCK3-B For 4 Battery Enclosures: CTSPBCK4-B For 6 Battery Enclosures: CTSPBCK6-B For 6 Battery Enclosures: CTSPBCK8-B

**“Power Products by Power Professionals”**



Myers Power Products, Inc.  
44 S Commerce Way  
Bethlehem, PA 18017

Aug-2009

Tel: (610) 868-3500  
Fax: (610) 868-8686

[www.myerspowerproducts.com](http://www.myerspowerproducts.com)