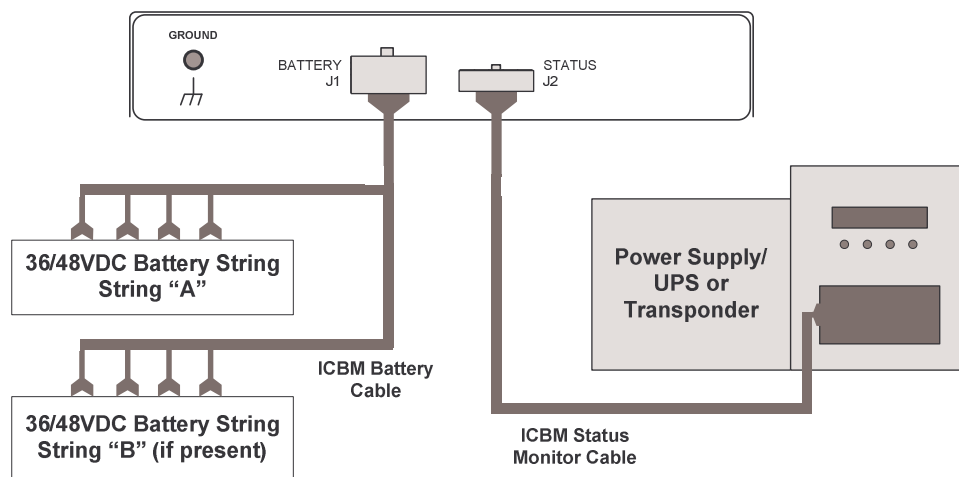




ICBM - Individual Charge Battery Manager

The ICBM is a battery manager/conditioner that extends battery life by maintaining an equal state of charge across each battery in a string, maximizing battery-life and run-time. As this conditioning process minimizes battery differences in a string, individual batteries can be replaced as they fail, stopping the wasteful practice of replacing entire strings.



FEATURES

- Individually charges each battery in a string
- Minimizes differences between batteries over their lifespan, extending battery life
- Prevents chronic under-charged conditions
- Extends run-time by maximizing charge for each battery
- One ICBM can service up to two battery strings, auto-detects string configuration
- Both 36VDC and 48VDC versions available
- Easy installation, LED's signals bad wiring or connection faults
- Identifies bad batteries by flashing LED
- Bad battery info signaled to Status Monitoring systems using existing alarm structure
- Works on all manufacturers power supplies/UPS

Base Models - No cables included

Myers Model #	Description
AP9930-36	ICBM, 36VDC, 1 or 2 battery string capable
AP9930-48	ICBM, 48VDC, 1 or 2 battery string capable

Specifications*

Electrical	AP9930-36	AP9930-48
String Voltage Nominal:	36 VDC	48 VDC
Individual Battery Voltage Nominal:	12 VDC	12 VDC
String Voltage Range:	27 to 45 VDC	36 to 60 VDC
Active Charge Voltage Range:	36.9 to 45 VDC	49.3 to 60 VDC
Low String Voltage Disconnect (LVD):	32.4 VDC (10.8 VDC / batt)	43.2 VDC (10.8 VDC / batt)
Individual Battery Charge Current:	1.5 Amps DC Max	1.5 Amps DC Max
Environmental		
Operating Temperature:	-40 to +70 degrees C	
Storage Temperature:	-50 to +85 degrees C	
Humidity:	5 to 95% non-condensing	
Dimensions (HxWxD):	1.1 x 6.6 x 5.25 Inches (28 x 163 x 133 mm)	

*Note: Specifications subject to change.

ICBM "Kit" Model Number Construction:

AP9930 - XX - YY ZZ

XX = String Voltage, 36 or 48

YY = Battery Sense Cable (CTSPBCK-YY)

ZZ = Status Monitor Cable (CTSPBCK-ZZ)

Battery Cables - Connects ICBM to Batteries

String Voltage	# of Strings	Length String A	Length String B	Myers Part #		String Voltage	# of Strings	Length String A	Length String B	Myers Part #
36	1	36"	--	CTSPBCK-33		48	1	36"	--	CTSPBCK-37
36	1	72"	--	CTSPBCK-34		48	1	72"	--	CTSPBCK-38
36	2	36"	72"	CTSPBCK-35		48	2	36"	72"	CTSPBCK-39
36	2	72"	72"	CTSPBCK-36		48	2	72"	72"	CTSPBCK-40

Status Monitor Cables - Connects ICBM to power supply/UPS, transponder or alarm

Connects to:	# of Strings	Cable Length	Myers Part #		Connects to:	# of Strings	Cable Length	Myers Part #
Myers CTSP-SM5	1	36"	CTSPBCK-41		Electroline DOCSIS DHT-PS	1 or 2	36"	CTSPBCK-49
Myers CTSP-SM5	1	72"	CTSPBCK-42		Electroline DOCSIS DHT-PS	1 or 2	72"	CTSPBCK-50
Myers CTSP-SM5	2	36"	CTSPBCK-45		AM Ntwrks - DOCSIS 9362	1 or 2	36"	CTSPBCK-51
Myers CTSP-SM5	2	72"	CTSPBCK-46		AM Ntwrks - DOCSIS 9362	1 or 2	72"	CTSPBCK-52
Alpha EDSM or DSM	1 or 2	36"	CTSPBCK-47		Contact Closure Alarm	1 or 2	36"	CTSPBCK-53
Alpha EDSM or DSM	1 or 2	72"	CTSPBCK-48		Contact Closure Alarm	1 or 2	72"	CTSPBCK-54
Tollgrade CMD-P	1 or 2	36"	CTSPBCK-47					
Tollgrade CMD-P	1 or 2	72"	CTSPBCK-48					

Myers Power Products, Inc.
44 S Commerce Way
Bethlehem, PA 18017



Aug-2009

Tel: (610) 868-3500

Fax: (610) 868-8686

www.myerspowerproducts.com