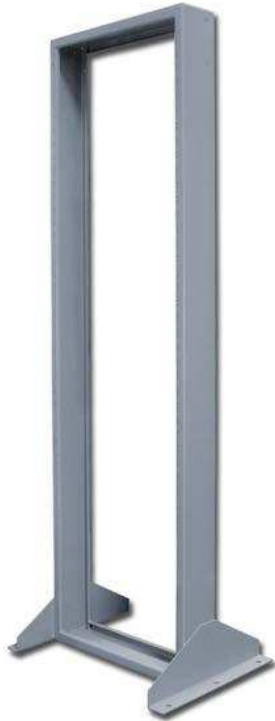


Telecom Power Systems

General Specifications



6-inch channel equipment rack

6 Inch Channel, Welded Steel Equipment Rack

Magnetek's 6-inch channel welded steel equipment rack is ideal for mounting communications equipment, backup power systems, termination panels, patch panels, or other rack-mountable electronic equipment.

Magnetek's 6-inch channel equipment rack offers standard EIA rack spacing and tapped hole patterns for quick and easy equipment mounting. Drilled holes are also provided for floor anchor bolting, and on side rail for joining racks or for mounting ladder end guards. This rack is available a 23 inch width to meet your installation requirements.

Magnetek's 6-inch channel equipment rack is designed to meet the structural performance criteria set by NEBs for installation in Earthquake Zone 4 areas. The equipment rack is constructed of heavy-duty steel and is powder-coat painted in standard Telco gray (ANSI-61 gray).

Key Features of Magnetek's 6-inch Channel, Welded Steel Equipment Rack:

- Heavy-duty 10-gauge HRPO steel construction
- Rack angle base constructed of 3/16 inch HRPO steel
- ANSI-61 gray, powder coat finish
- Provides 45 rack mounting spaces
- Ideal for Customer Premise, Central Office, Cellular, PCS, and other telecom and UPS applications

Model Summary

Description	Model Number	Order Number
7'H x 23"W 6" Channel Welded Steel Equipment Rack	ER84-23S6-45U	A008612

Specifications

Mechanical

Overall dimensions:	84"H x 29.25W x 22D
Weight:	92 pounds
Construction:	10-gauge HRPO steel
Angle base construction:	3/16" HRPO steel
Finish:	ANSI-61 gray powder coat

Approvals

Structural performance:	GR63-CORE, Sec. 4.4.1, 5.4.1
-------------------------	------------------------------

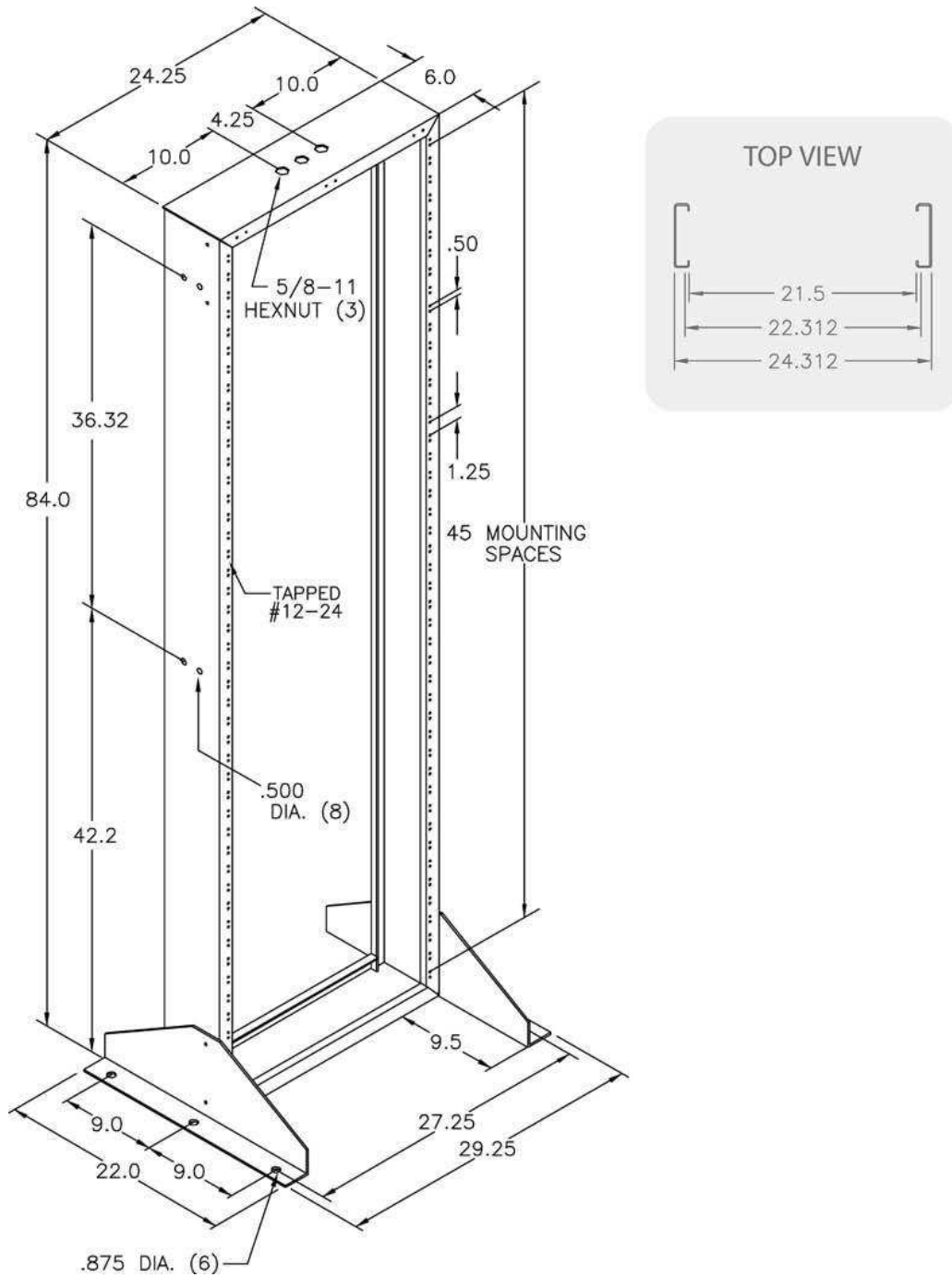
Equipment Rack Accessories

- Glastic isolation pad
- Grounding bus assembly
- Rack adapter
- Heat baffle
- Lightweight shelves
- Battery trays
- Towel bar
- Wire management panel
- Wire trough
- Stationary mounting bar
- Ground bar
- U-bolt plates
- Mounting hardware
- Rack stand-off assembly
- Cable brackets, support hooks

Outline Drawings

Data subject to change without notice.

All dimensions in inches.



www.myerspower.com

Myers Power Products, Inc.
725 E. Harrison St., Corona, California 92879
(972) 484.0365 / (800) 443.4742 / Fax (972) 484.7822